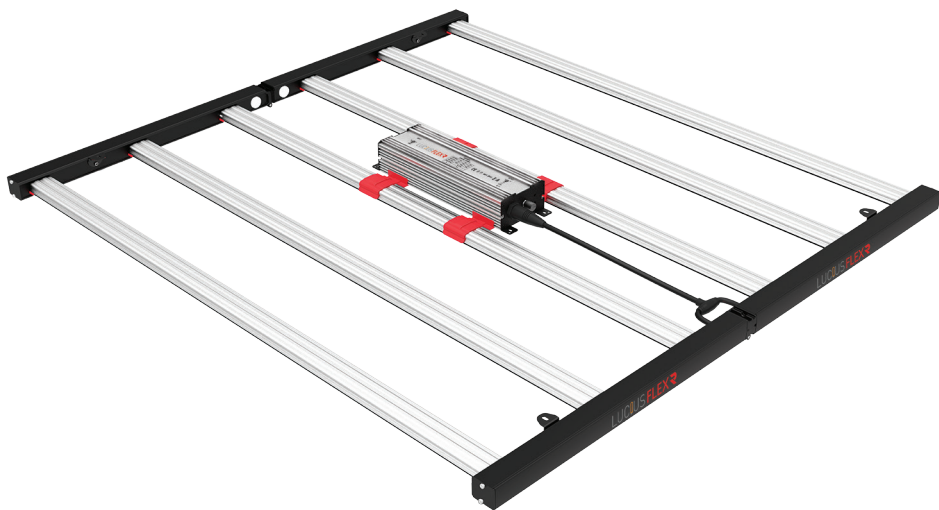


LUCIOUS FLEX[®]

USER MANUAL




LUCIUS FLEX


USER MANUAL


INTRODUCTION

Congratulations for purchasing your LUCIUS FLEX .

Please read and understand this manual in its entirety before using the LUCIUS FLEX . Have a certified personnel to install this fixture. Only use this product as specified within the manual.


1. PRODUCT DESCRIPTION

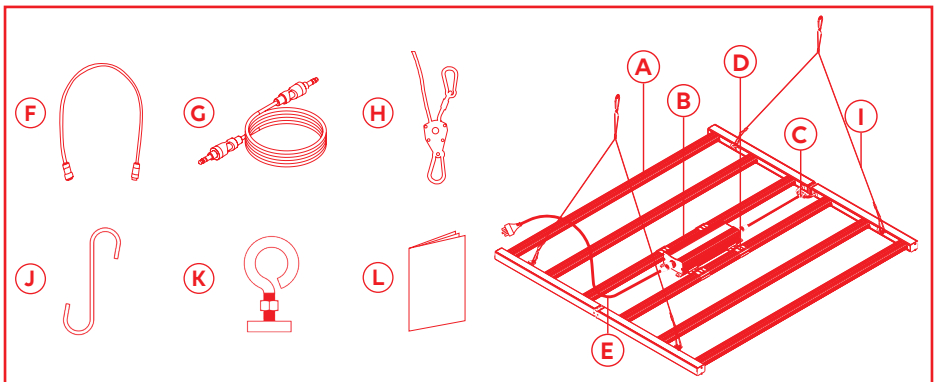
The LUCIUS FLEX  provides growers with the latest OSRAM LED technology in a robust design.

The  series technology adopts enhanced red diodes to achieve a PPF efficacy up to $3.50\mu\text{mol/J}$ (400W & 680W) and $3.65\mu\text{mol/J}$ (1000W).


Each bar is built to last with an innovative IP65 rated silicon that protects the LEDs without compromising light output. Delivering optimal growth, crop after crop.

2. CONTENTS

- | | | |
|----------------------------------|-----------------------------------|--|
| (A) LED Fixture | (B) LED Driver | (C) Output Cable |
| (D) Driver Mount (x2) | (E) Input Power Cable 2.4m | (F) Output Extension Cable 2m |
| (G) 3.5mm Signal Cable 2m | (H) Rope Ratchet (x2) | (I) Lance Hanger (x2) |
| (J) S-Hanger (x2) | (K) M4 Eyebolt (x2) | (L) FLEX  Manual |



3. TECHNICAL SPECIFICATIONS

LUCIUS FLEX ₹				
Product Code	M2142	M2143	M2146	
Power	400W	680W	1000W	
Voltage Range/ Frequency	120-277V 50/60Hz	100-277V 50/60Hz	200-277V 50/60Hz	
Current	120V	3.50A	5.84A	-
	208V	1.98A	3.37A	4.91A
	220V	1.86A	3.18A	4.63A
	230V	1.78A	3.05A	4.43A
	240V	1.71A	2.92A	4.25A
	277V	1.50A	2.53A	3.72A
PPF Efficacy	3.5 μ mol/J		3.65 μ mol/J	
Max PPF	1400 μ mol/s	2380 μ mol/s	3650 μ mol/s	
CCT	4000K			
CRI	60%			
PF	>0.95			
THD	<10%			
Beam Angle	120°			
Control Knob	OFF / 25% / 50% / 75% / 100% / RC			
External Control	Compatible with 0-10V LED Controllers			
Signal Cable	3.5mm TRS Male Jumper Cable			
Thermal Management	Passive			
BTU/h	1365	2320	3413	
Protection	Over-voltage , Under-voltage, Short Circuit, Over-temperature			
Dimensions	1170 x 690 x 62mm 46.06 x 27.16 x 2.44"	1170 x 1115 x 79mm 46.06 x 43.90 x 3.11"	1170 x 1115 x 79mm 46.06 x 43.90 x 3.11"	
Weight	4.74 \pm 0.3kg 10.38 \pm 0.66lbs	8.5 \pm 0.5kg 18.7 \pm 1.1lbs	10.4 \pm 0.3kg 22.9 \pm 0.66lbs	
Working Temp	0°C to 40°C / 32°F to +104°F (95% RH)			
Storage Temp	-40°C to 70°C / -40°F to +158°F (85% RH)			
IP Rating	IP65			
Warranty	3 Years			
Certificates				

LIGHT COVERAGE AREA											
Fixture	400W			680W			1000W				
	Application	Veg	Flower		Application	Veg	Flower		Application	Veg	Flower
¹ Hanging Height (cm)	73	38	28	96	50	38	126	76	65		
Max PPFD ($\mu\text{mol/s/m}^2$)	500	1000	1200	500	1000	1200	500	1000	1200		
Coverage Dimensions (m)	1.9 x 1.7	1.4 x 1.1	1.4 x 1.1	2.2 x 2.3	1.6 x 1.7	1.5 x 1.7	2.9 x 2.9	2.0 x 2.1	1.9 x 2.0		
² Coverage Area (m^2)	3.23	1.62	1.48	5.17	2.76	2.50	8.52	4.10	3.90		

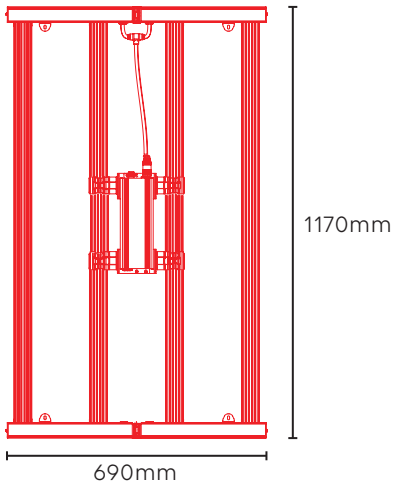
¹Hanging Height refers to the distance between the plant canopy and the LED.

²Coverage Area refers to the region that the plants receive at minimum 200PPFD for Flowering and 100PPFD for Vegetative.

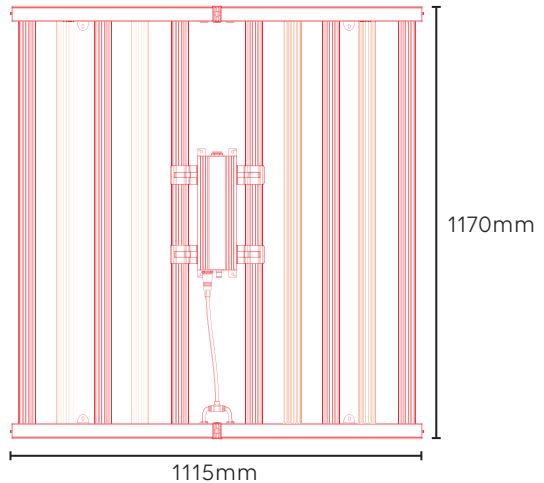
See Lucius.com.au to view the PPFD Map.

4. DIMENSIONS


400W (4 BAR)



680W (6 BAR) & 1000W (10 BAR)



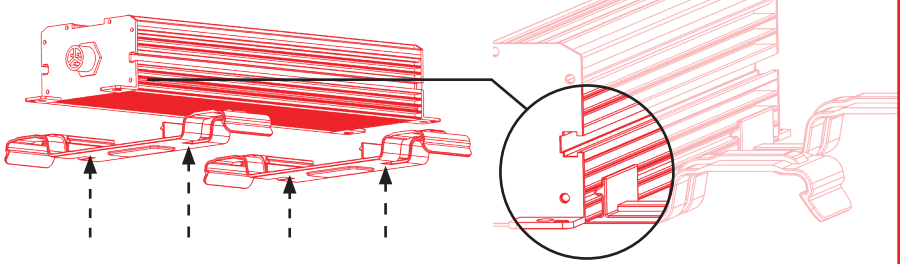
5. INSTALLATION

Unbox and unfold the LUCIUS FLEX  on a flat surface with the LEDs facing down.

NOTE: DO NOT remove safety covers protecting the LEDs until fixture is installed.

DRIVER-FIXTURE INSTALLATION

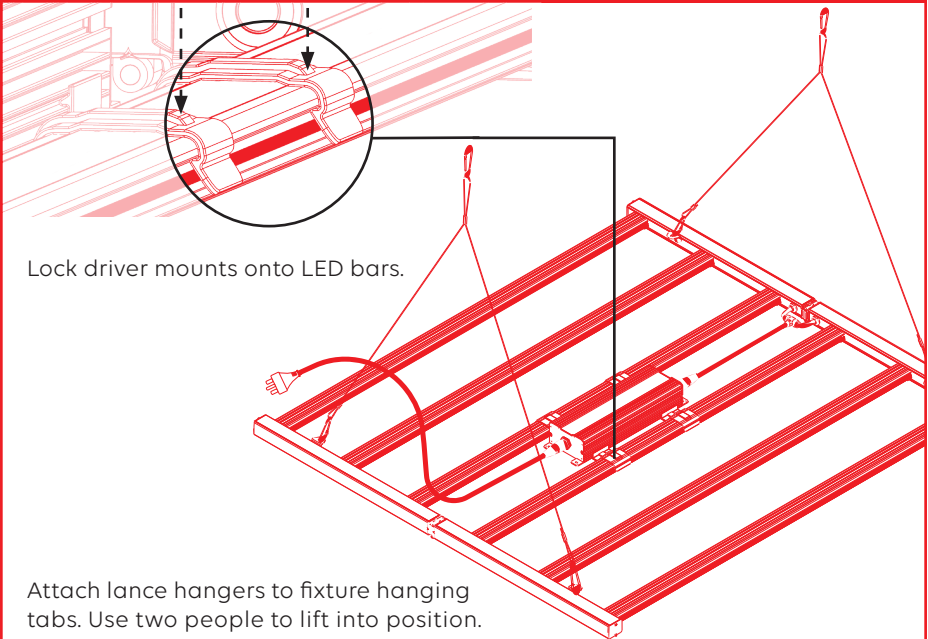
STEP 1. ATTACH DRIVER MOUNTS



Push mounts onto driver.

Ensure mounts are flush to driver base.

STEP 2. ATTACH DRIVER AND HANG FIXTURE



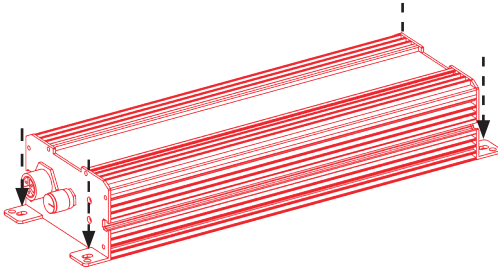
Lock driver mounts onto LED bars.

Attach lance hangers to fixture hanging tabs. Use two people to lift into position.

REMOVE the LED safety covers before powering on fixture.

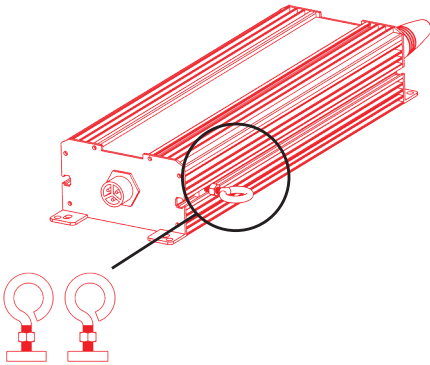
REMOTE DRIVER INSTALLATION

OPTION 1. SURFACE MOUNT

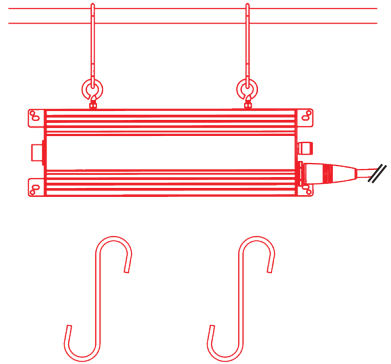


Mount driver to a secure surface with screws.

OPTION 2. S-HANGER



1. Slide and tighten eyebolts in driver channel.

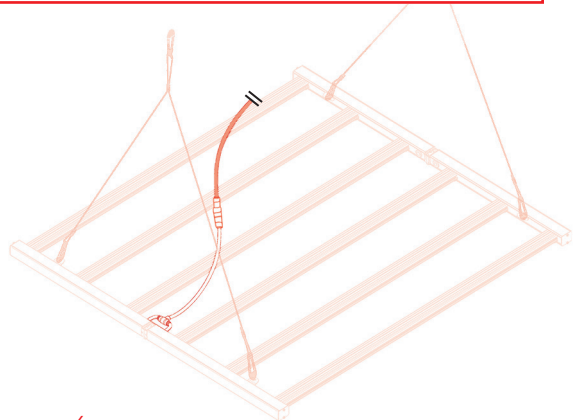


2. Secure S-Hanger to anchor point and hang driver.

Attach lance hangers to fixture hanging tabs. Use two people to lift into position.

Connect the output extension cable between the fixture and driver.

REMOVE the LED safety covers before powering on fixture.



6. CONTROL

(1) Manual Control

The dimming knob has 5 power levels. 25%, 50%, 75%, 100% and OFF.

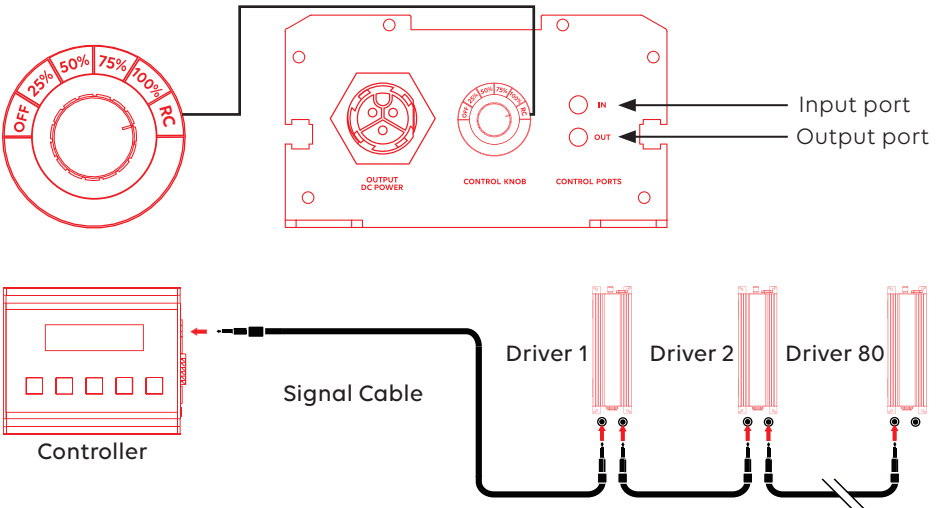
(2) External Control

Connecting Single LED Fixture

Connect your external LED controller to the driver by connecting the 3.5mm Signal Cable to the "IN" Port. Then set the dimming knob to the RC setting.

Connecting Multiple LED Fixtures

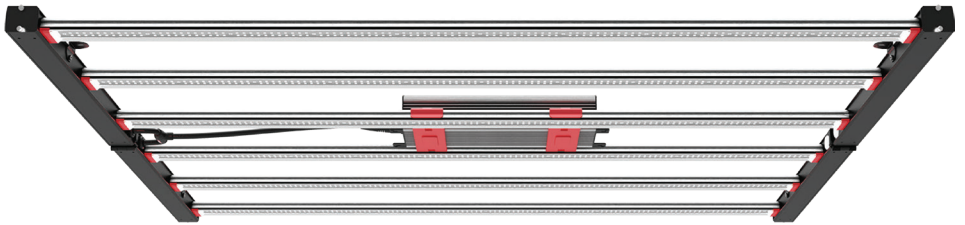
Continuing on from 'Connecting Single LED Fixture' instructions. Connect 3.5mm Signal Cable to the "OUT" port of the first driver and connect to the "IN" port of the second driver. Repeat these steps until your desired numbers of fixtures are connected.



7. WARRANTY - CONTACT YOUR RETAILER FOR WARRANTY CLAIMS AND SUPPORT.

The company guarantees the mechanical and electronic components of this product. It ensures the materials and workmanship is free of defects, used under normal operating conditions. If there are any defects with this product that relate to the workmanship or the materials used, the company shall, at its discretion, either replace or repair the product.

However, improper use is NOT covered by warranty. This includes but is not limited to, overloading, user error, physical or water damage. Warranty is valid for a period of three years from the original date of purchase.



lucius.com.au